

## INDUSTRIAL DIESEL ENGINE

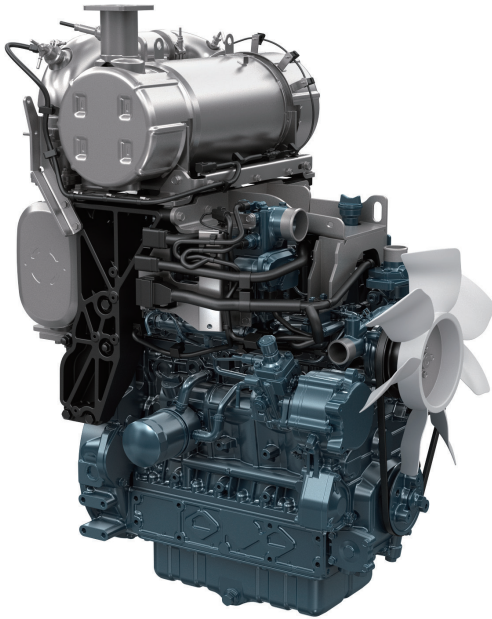
### Kubota V3 Series (4-Cylinder)

# V3800-TIE5



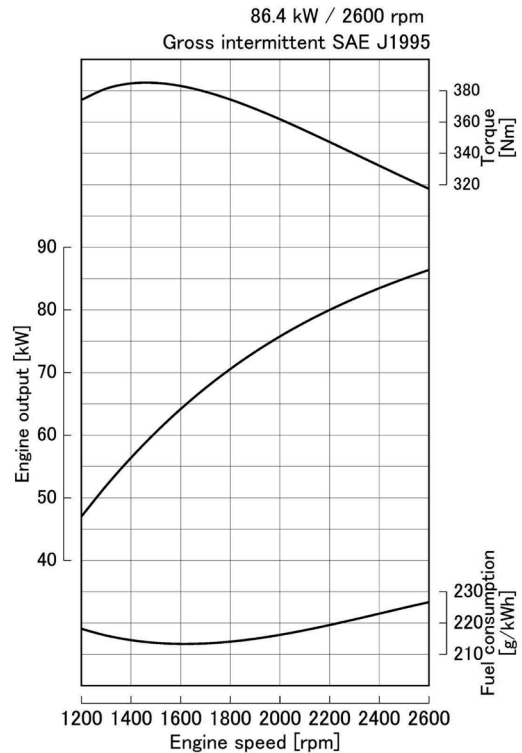
#### Rated Power

## 86.4 kW @ 2600 rpm



Photograph may show non-standard equipment.

#### Performance Curves



#### Features and Benefits

##### Proven Reliability and Technology

The latest technology and strong performance—two things customers expect from Kubota engines. We continue to provide both through the pursuit of excellence in emissions compliance and progress toward fully electronic controlled engines. These key areas allow Kubota to offer flexibility in the products and services we provide to customers worldwide.

##### Clean and Quiet Power

A Common Rail System has made it possible to optimize combustion and create a more durable and quieter engine with higher fuel efficiency.

##### Emissions Compliance

Meeting rigid emissions regulations can be a challenge for any company. V3800-TIE5 engine has been designed to comply with stringent regulations: EU Stage V. In addition, innovative emissions solutions, such as the use of aftertreatment units, have also been integrated into the engines.

##### Flexibility

Flexibility is a must when working with customers in different countries who have different engine needs. Since Kubota V3 Series engines have evolved along every step in meeting the requirements of each EPA Tier, we are able to provide our customers worldwide with engines certified for the appropriate emissions regulations. In addition, we have designed aftertreatment units with minimum impact for easy installation.

##### Trust

Kubota V3 Series engines are the ideal solution for your company's global marketing strategy. We continuously strive to meet your needs with the experience and expertise that is your due.

# V3800-TIE5

## Engine Specifications

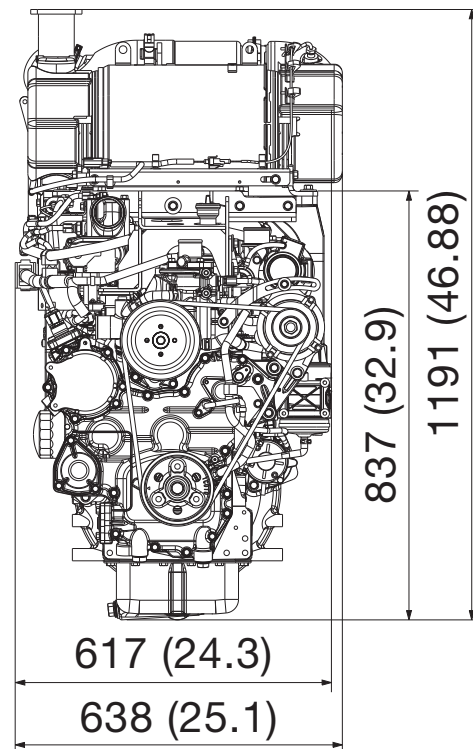
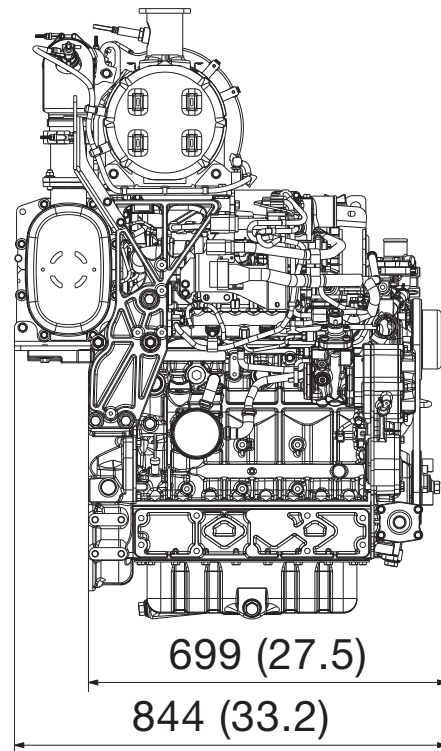
<b>Engine model</b>		V3800-TIE5
<b>Emission regulation</b>		EU Stage V
<b>Type</b>		Vertical, water cooled 4-cycle DI diesel engine
<b>Cylinders</b>		4
<b>Bore and Stroke</b>	mm (in)	100.0 × 120.0 (3.937 × 4.724)
<b>Displacement</b>	L (cu.in)	3.769 (230.0)
<b>Aspiration</b>		Turbo + TAC
<b>Aftertreatment</b>		DOC + DPF + SCR
<b>Rated output / speed</b> *1	kW (HP) / rpm	86.4 (115.9) / 2600
<b>Maximum torque / speed</b> *1	Nm (lb-ft) / rpm	385.0 (284.0) / 1500
<b>Combustion system</b>		Direct Injection
<b>Fuel system</b>		Common Rail System
<b>Exhaust Gas Recirculation (EGR)</b>		External EGR
<b>Length x Width x Height</b> *2 (with aftertreatment unit)	mm (in)	844 × 638 × 1191 (33.2 × 25.1 × 46.88)
<b>Dry weight</b> *2	kg (lb)	400 (882)

Specifications are subject to change without prior notice.  
Dimensions and dry weight are according to Kubota's standard specification.  
Dimensions and weight depend on completed specifications.

\*1: Gross intermittent SAE J1995

\*2: Included aftertreatment unit, excluded cooling fan

## Dimensions



## Kubota Corporation

2-47, Shikitsuhigshi 1-chome Naniwa-ku, Osaka, 556-8601 Japan

<https://engine.kubota.com/en>

ASP-V3800-TIE52111-N0-STD-208098