

INDUSTRIAL DIESEL ENGINE

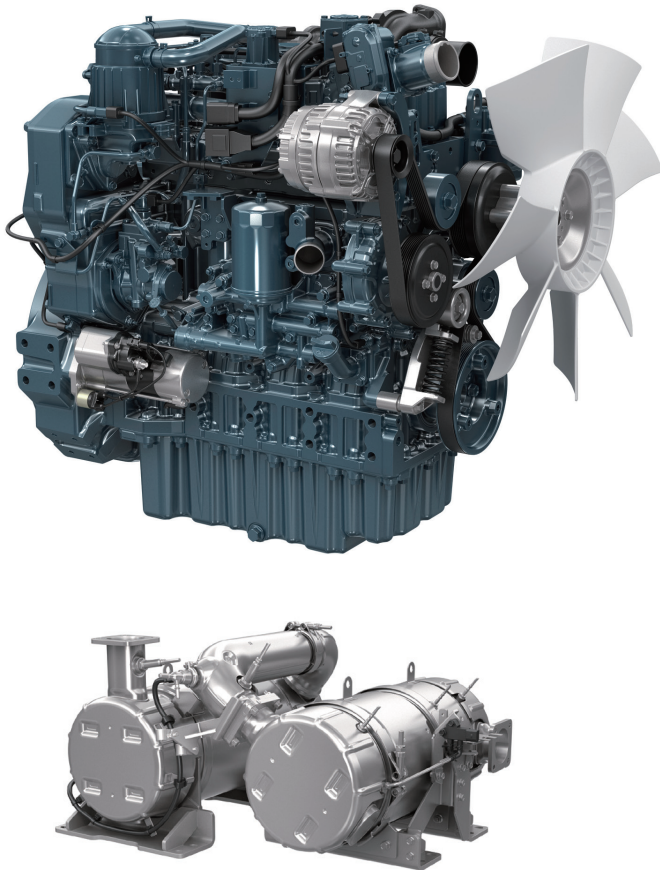
Kubota 09 Series (4-Cylinder)

V5009-TIE5



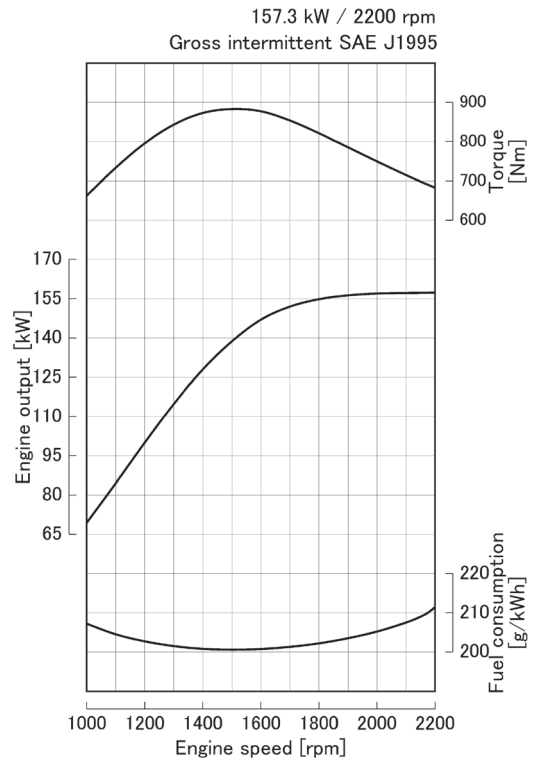
Rated Power

157.3 kW @ 2200 rpm



Photograph may show non-standard equipment.

Performance Curves



Features and Benefits

High Power Density

Compact 4-cylinder engine offers 157.3 kW high power.

Low Fuel Consumption

Best fuel-efficiency is achieved with optimized combustion.

Great Versatility

- 100% power take-off at the flywheel and front end
- Side PTO*1 takes up to 3 hydraulic pumps
- Choice of flywheel housings and flywheels for OEM coupling

*1: Auxiliary PTO

Easy Maintenance

- Automatic belt tensioner
- One-side maintenance

Emission Compliance

The Kubota V5009 engine complies with EU Stage V and EPA/CARB Tier 4. In order to meet these stringent regulations, the engine has a Diesel Oxidation Catalyst (DOC), a Diesel Particulate Filter (DPF) and Selective Catalytic Reduction (SCR).

For Earth, For Life

V5009-TIE5

Engine Specifications

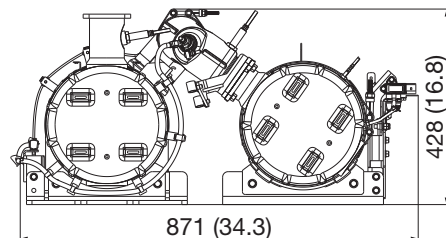
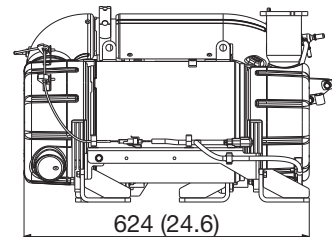
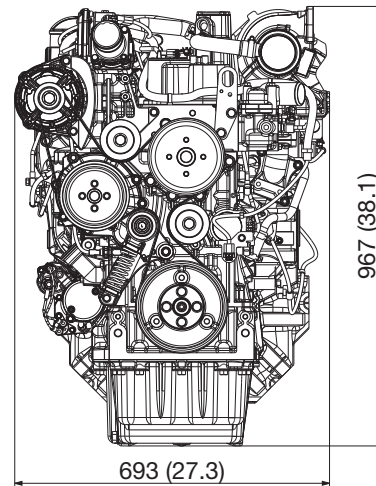
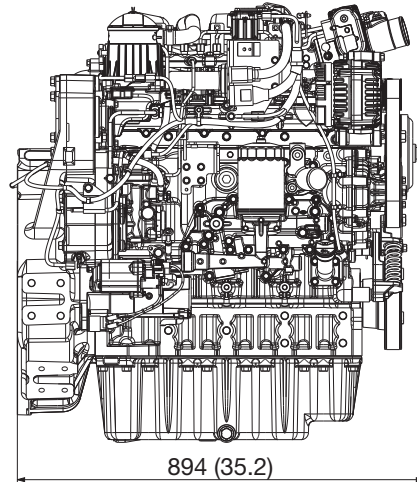
Engine model		V5009-TIE5
Emission regulation		EPA/CARB Tier4 + EU Stage V
Type		Vertical, water cooled 4-cycle diesel engine
Cylinders		4
Bore and Stroke	mm (in)	110.0 × 132.0 (4.331 × 5.197)
Displacement	L (cu.in)	5.017 (306.2)
Aspiration		Turbocharged + Turbo After Cooler
Aftertreatment		DOC + DPF + SCR
Rated output / speed *1	kW (HP) / rpm	157.3 (210.9) / 2200
Maximum torque / speed *1	Nm (lb-ft) / rpm	883.1 (651.3) / 1500 - 1600
Combustion system		Direct Injection
Fuel system		Common rail system
Length x Width x Height *2 (without aftertreatment unit)	mm (in)	894 × 693 × 967 (35.2 × 27.3 × 38.1)
Dry weight *2	kg (lb)	652 (1437)

Specifications are subject to change without prior notice.
 DOC: Diesel Oxidation Catalyst
 DPF: Diesel Particulate Filter
 SCR: Selective Catalytic Reduction
 Dimensions and dry weight are according to Kubota's standard specification.
 Dimensions and weight depend on completed specifications.

*1: Gross intermittent SAE J1995

*2: Excluded DPF muffler, SCR muffler, and cooling fan

Dimensions



Kubota Corporation

2-47, Shikitsuhigshi 1-chome Naniwa-ku, Osaka, 556-8601 Japan

<https://engine.kubota.com/en>

ASP-V5009-TIE52304-R5-8-218100