

DIESEL ENGINE FOR GENERATOR

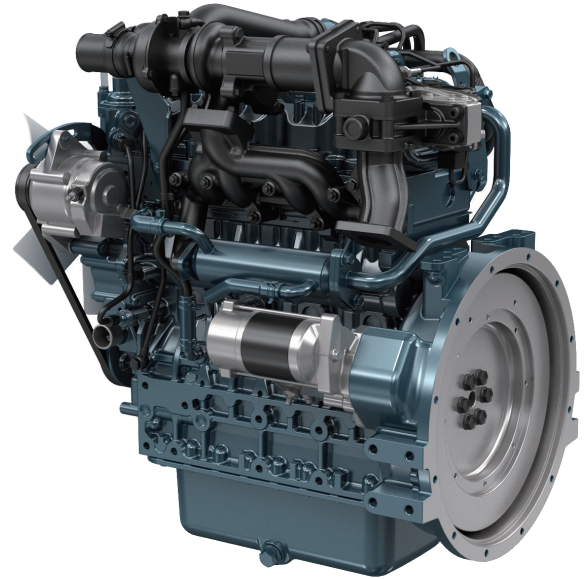
Kubota 03 Series (4-Cylinder)

V2403-CR-TE5-BG



Stand-by Power

28.1 kW @ 1500 rpm



Photograph may show non-standard equipment.

Features and Benefits

Emissions Compliance

Meeting rigid emissions regulations can be a challenge for any company. Our Kubota 03 Series engines have been designed to comply with various emissions regulations, including the stringent regulations: EU Stage V. In addition, innovative and reliable aftertreatment solutions, such as Diesel Particulate Filters (DPF) unit, have been applied to it.

Advanced DPF Technology

Diesel Particulate Filters (DPF) are essential to comply EU Stage V emission regulations. With many years of experience in DPF engines, Kubota has developed a DPF technology that enables automatic regeneration even at a low rpms, giving your product a competitive edge.

The technology has also made long service intervals possible, helping to minimize downtime and maintenance worries.

Fuel Efficiency

With Kubota's technology and experience, Common Rail System (CRS) is optimized and realizing low fuel consumption.

For Earth, For Life

V2403-CR-TE5-BG

Engine Specifications

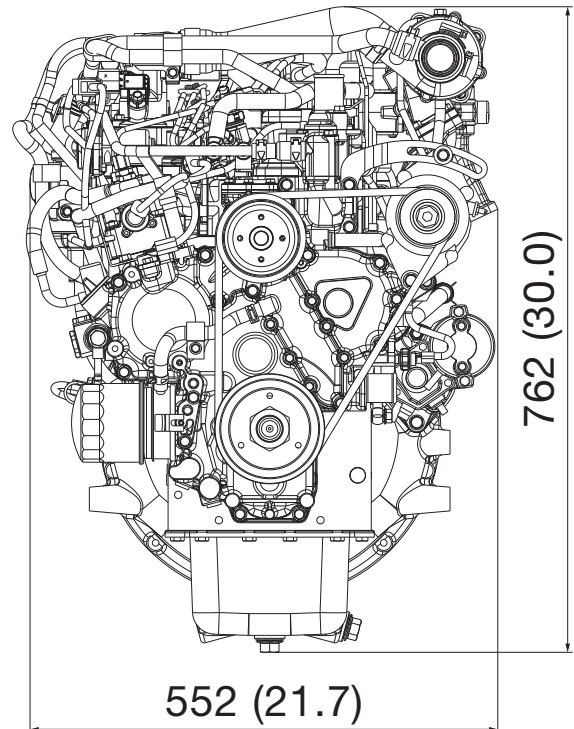
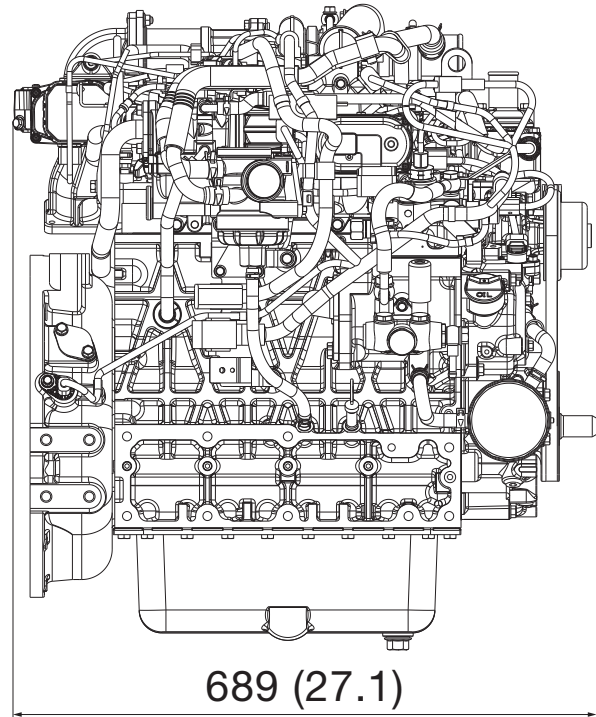
Engine model		V2403-CR-TE5-BG
Emission regulation		EU Stage V
Type		Vertical, water cooled 4-cycle DI diesel engine
Cylinders		4
Bore and Stroke	mm (in)	87.0 × 102.4 (3.43 × 4.031)
	L (cu.in)	2.434 (148.5)
Aspiration		Turbocharged
Aftertreatment		Diesel Oxidation Catalyst (DOC) + Diesel Particulate Filter (DPF)
Net stand-by power *1	kW (HP) / rpm	28.1 (37.7) / 1500
Net continuous power *1	kW (HP) / rpm	25.5 (34.2) / 1500
Combustion system		Direct Injection
Fuel system		Common Rail System
EGR		External EGR
Length x Width x Height *2 (without aftertreatment unit)	mm (in)	689 × 552 × 762 (27.1 × 21.7 × 30.0)
	kg (lb)	241 (531)

Specifications are subject to change without prior notice.
Dimensions and dry weight are according to Kubota's standard specification.
Dimensions and weight depend on completed specifications.

*1: SAE J1349

*2: Exclude ATU and cooling fan

Dimensions



Kubota Corporation

2-47, Shikitsuhigshi 1-chome Naniwa-ku, Osaka, 556-8601 Japan

<https://global.engine.kubota.co.jp/en/>

ASP-V2403-CR-TE5-BG2109-R1-STD-208098